



GE E

[> Stock: May 13, 2004 at 14:53 ET 30.19 -0.21](#) [> Contact Us](#) [> GE Around the World](#) [> Site Map](#)[Products & Services](#)[Our Businesses](#)[Online Tools](#)[Our Commitment](#)[About Us](#)[Home](#) [> Products & Services](#) [> Solar Power](#) [> Solar Modules : GEPV-050-M & GEPV-030-M](#)

GEPV-050-M & GEPV-030-M Solar Power Modules

[> Solar Power](#)[> Solar Cells](#)[• Solar Modules](#)[> Pre-Packaged Systems](#)

For 12 to 48V DC Systems

Ideal for solar home systems, the GEPV-050-M and GEPV-030-M solar modules generate a peak power of 50 and 30 watts, respectively, at 17 volts. The GEPV-050-M is also available in a 45 watt version.

Features & Benefits

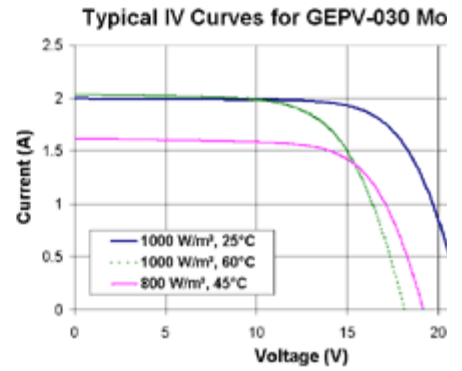
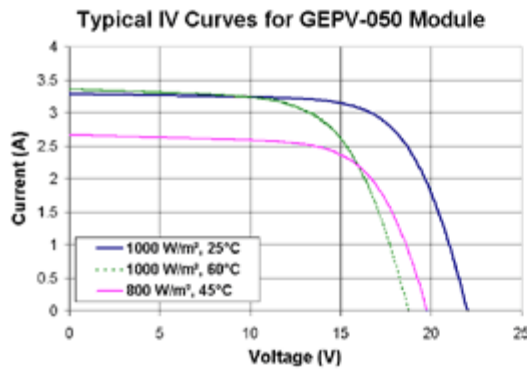
- The GEPV-050-M offers more than 3 amps of battery-charging current in full sunlight
- The GEPV-030-M offers more than 1.8 amps of battery-charging current in full sunlight
- Designed specifically for low-capacity 12 to 48 volt DC systems
- Weather-resistant junction box for easy and safe field installation
- Dual low-loss bypass diodes for superior protection and minimum power loss when shaded
- Factory inspected to ensure quality and electrical performance
- Heavy duty anodized aluminum frame provides strength and convenient mounting

Electrical Performance

Typical Performance Characteristics

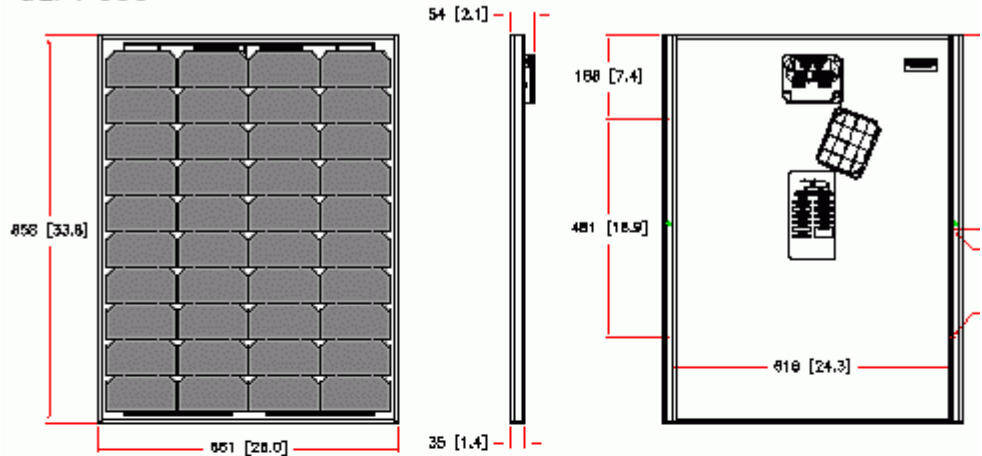
		GEPV-050-M	GEPV-030-M
Peak Power (Wp)	Watts	50	30
Maximum Power Voltage (Vmp)	Volts	17.3	16.8
Maximum Power Current (Imp)	Amps	2.9	1.8
Open Circuit Voltage (Voc)	Volts	22.0	21.4
Short Circuit Current (Isc)	Amps	3.3	2.0
Short Circuit Temperature Coefficient	mA/°C	+2	+1
Open Circuit Voltage Coefficient	V/°C	-0.09	-0.09
Maximum Power Temperature Coefficient	%/°C	-0.5	-0.5
Maximum Series Fuse	Amps	5	3

Standard test conditions: Irradiance = 1,000 w/m² cell temperature = 77 °F / 25 °C; solar spectrum irradiance per ASTM E892; rated power tolerance ±10 percent.

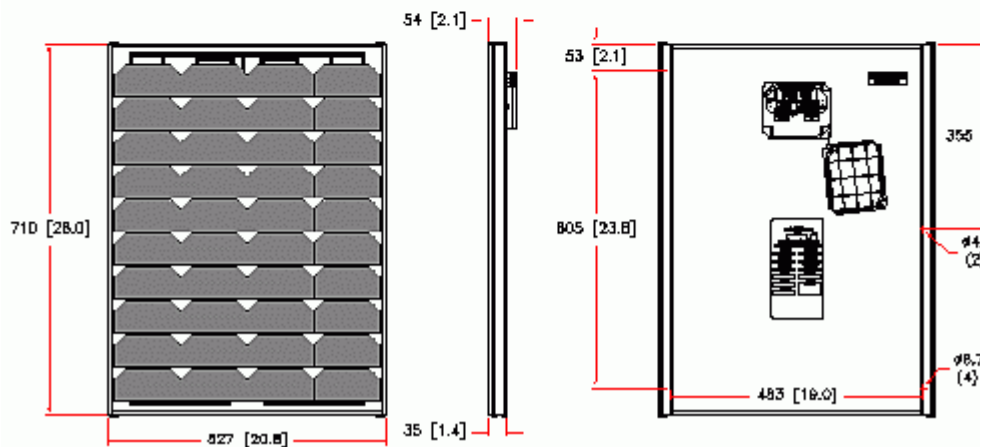


Physical Characteristics

GEPV-050



GEPV-030



Typical Operational Specifications

Nominal Operating Cell Temperature	45 °C (Irradiance = 800 w/m ² ambient temperature = 20 °C; wind speed = 1 m/s)
Weight (Wind) Bearing Potential	50 lbs/ft ² (125 mph equivalent)
Hailstone Impact Resistance	1 inch at 50 mph (24 mm at 80 kph)
Weight	
GEPV-050-M	16.6 pounds (7.5 kg)

GEPV-030-M	10.0 pounds (4.5 kg)
Dimensions	
GEPV-050-M	26.0 by 33.8 by 1.4 inches (661 by 858 by : mm)
GEPV-030-M	20.8 by 28.0 by 1.4 inches (527 by 710 by : mm)

Ordering Information**Call:** (866) 750-3150 or (302) 451-7500

> Contact us about solar products

231 Lake Drive
Newark, DE 19702

> View directions

> [GE Energy Home](#) > [Products & Services](#) > [Our Businesses](#) > [Online Tools](#) > [Our Commitment](#) > [About Us](#)
> [GE Corporate Home](#) > [Investor Information](#) > [Privacy Policy](#) > [Terms of Use](#)

Copyright General Electric Company 1997-2004