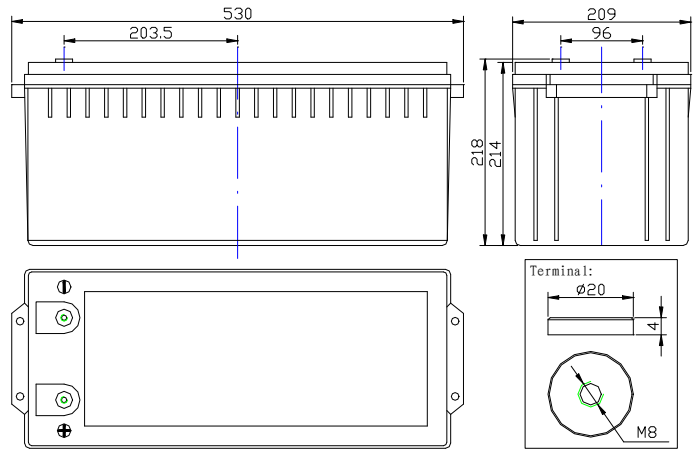


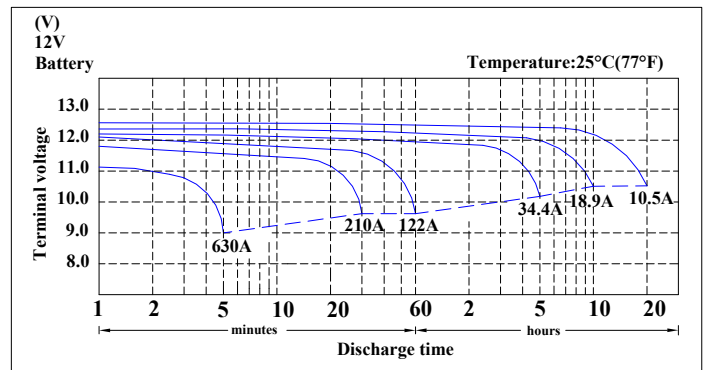
□DC210-12



Specifications

Nominal Voltage		12V
Rated Capacity (20 hour rate)		210AH
Dimension	Total Height (with terminals)	218mm(8.58inches)
	Height	214mm(8.43inches)
	Length	530mm(20.87inches)
	Width	209mm(8.23inches)
Weight		Approx.60.5kg (133.1lbs)

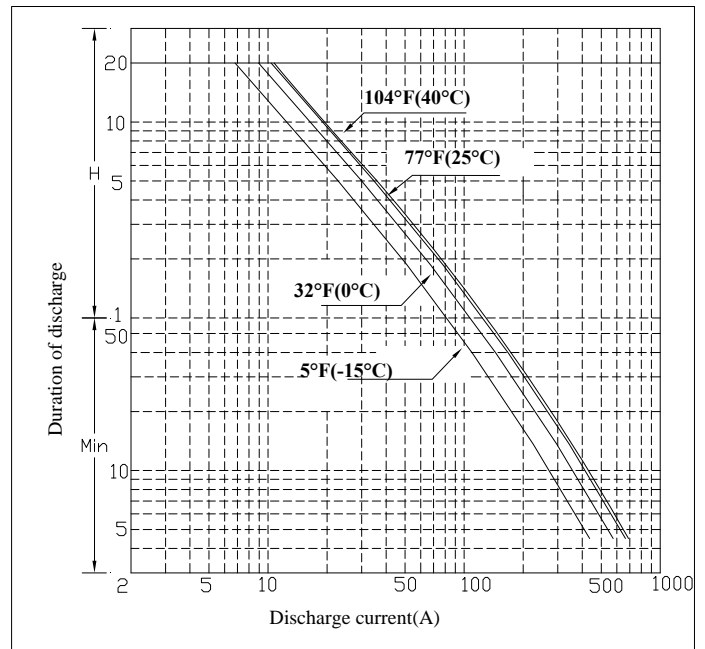
Discharge characteristics 77°F (25°C)



Characteristics

Capacity 77°F (25°C)	20 hour rate (10.5A to 10.5Volts)	210AH
	10 hour rate (18.9A to 10.5Volts)	189AH
	5 hour rate (34.4A to 10.2Volts)	172AH
Internal Resistance	Full charged 77°F (25°C)	2.3mΩ
Capacity affected by Temperature (20 hour rate)	104°F (40°C)	102%
	77°F (25°C)	100%
	32°F (0°C)	85%
	5°F (-15°C)	65%
Self-Discharge 77°F (25°C)	Capacity after 3 month storage	91%
	Capacity after 6 month storage	82%
	Capacity after 12 month storage	64%
Standard Terminal	M8	
Max. Discharge Current 77°F (25°C)	2000A (5s)	
Reserve Capacity (Minutes to 10.5V at 80°F (27°C))		@ 25Amps 400Min
		@ 75Amps 105Min
Charging (Constant Voltage)	Cycle	Initial Charging Current 40A Or Small 14.5V~14.9V/77°F (25°C)
	Float	13.6V~13.8V/77°F (25°C)

Duration of discharge vs. Discharge current



Constant Current Discharge Rating Amperes @ 77 °F (25°C)

Cut off voltage V/cell	30M	45M	1H	2H	3H	5H	8H	10H	12H	20H	24H
1.75V	195.3	143.9	115.8	64.3	47.6	33.3	22.9	18.9	16.1	10.50	8.8